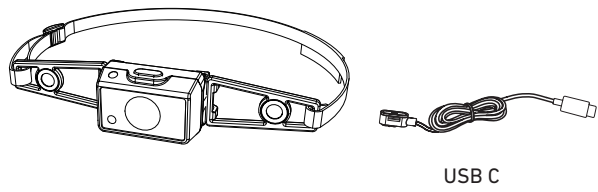
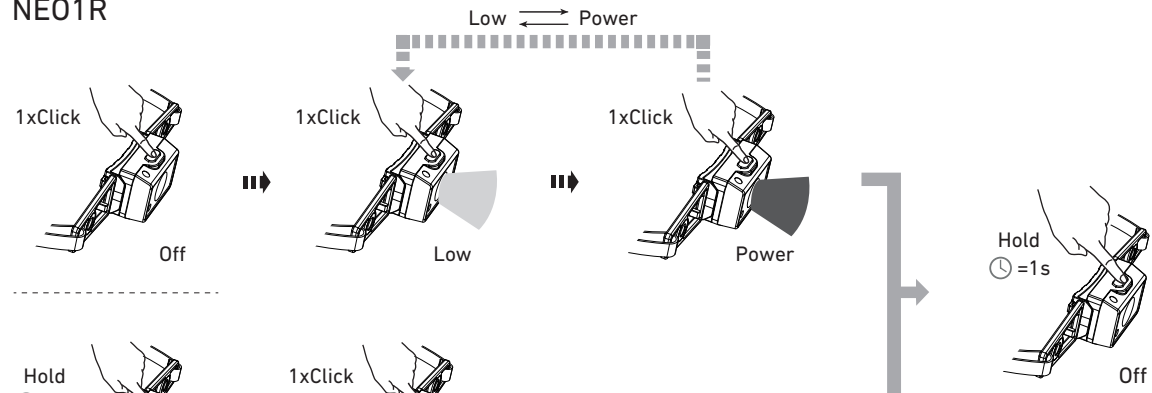


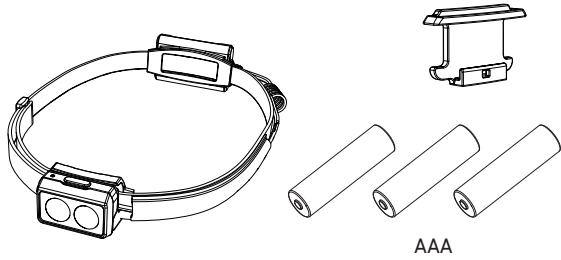
NEO1R



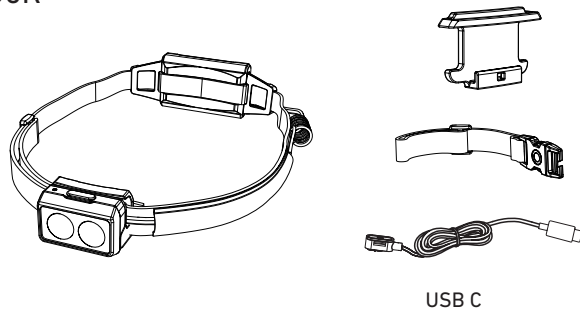
NEO1R



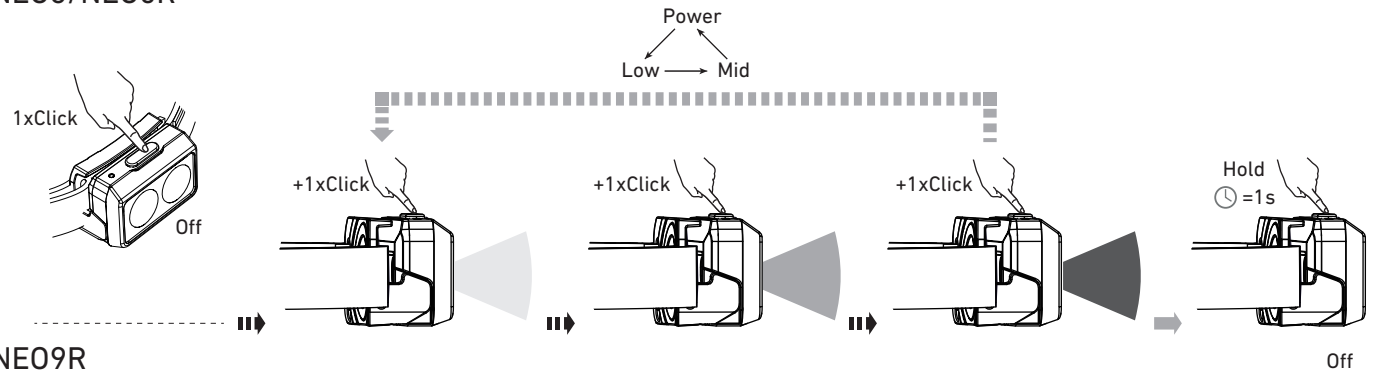
NEO3



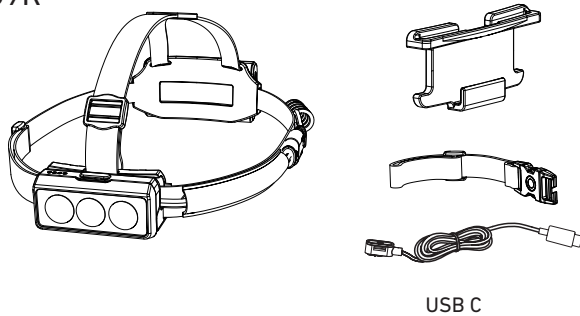
NEO5R



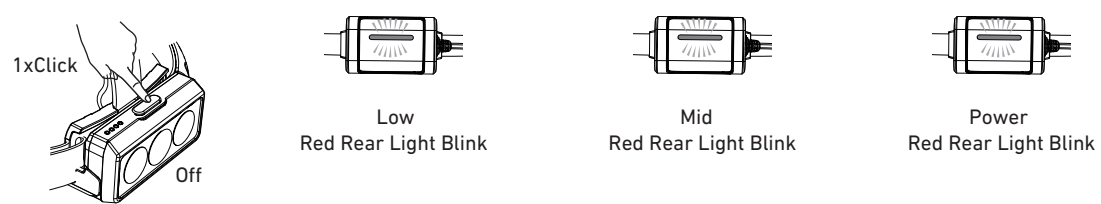
NEO3/NEO5R



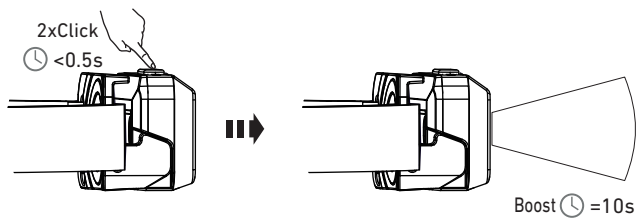
NEO9R



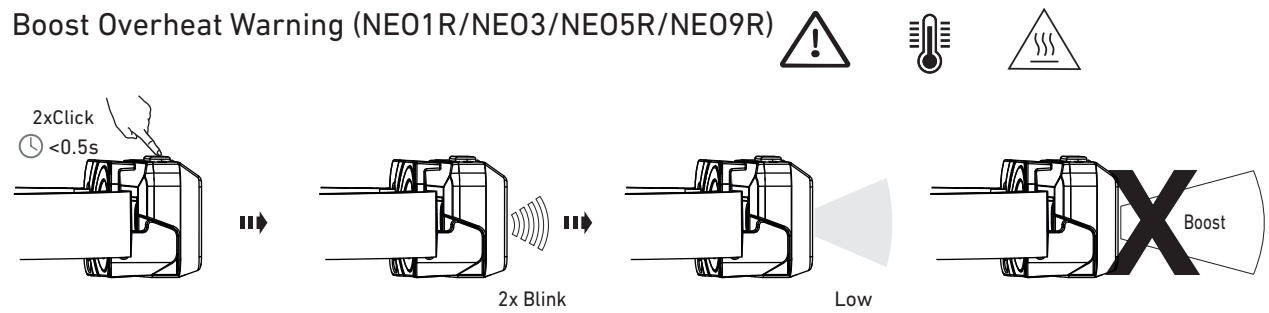
NEO9R



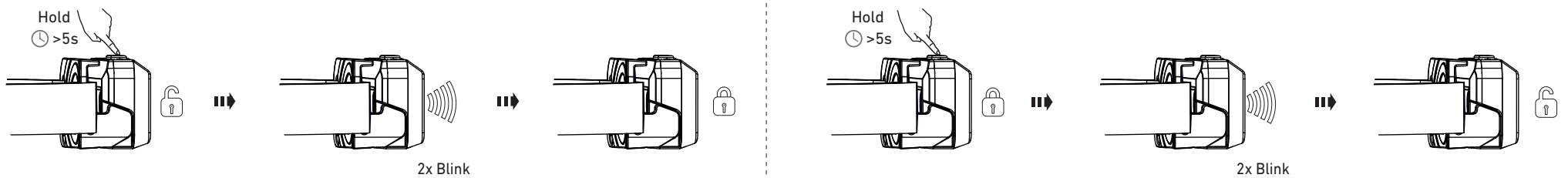
Boost (NEO1R/NEO3/NEO5R/NEO9R)



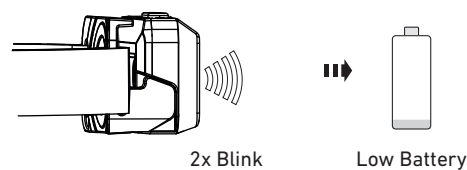
Boost Overheat Warning (NEO1R/NEO3/NEO5R/NEO9R)



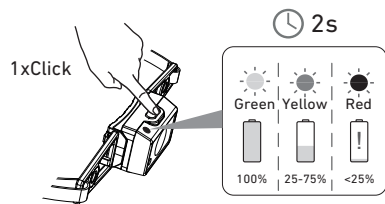
Transportation Lock (NEO1R/NEO3/NEO5R/NEO9R)



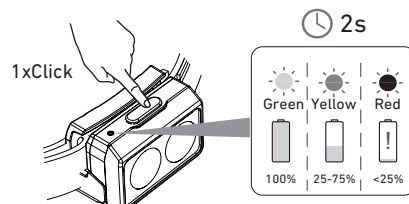
Low Battery Warning (NE01R/NE03/NE05R/NE09R)



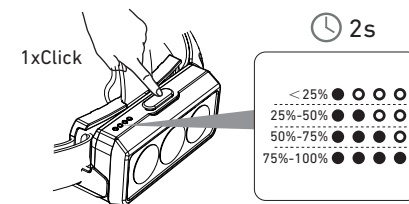
NE01R



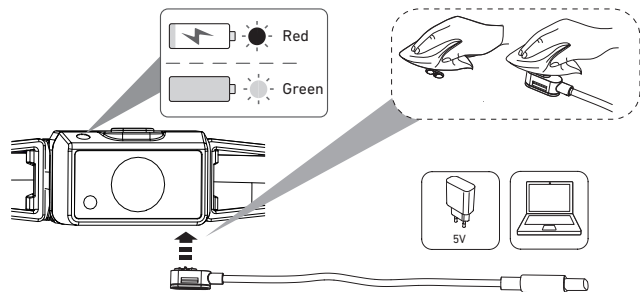
NE03/NE05R



NE09R



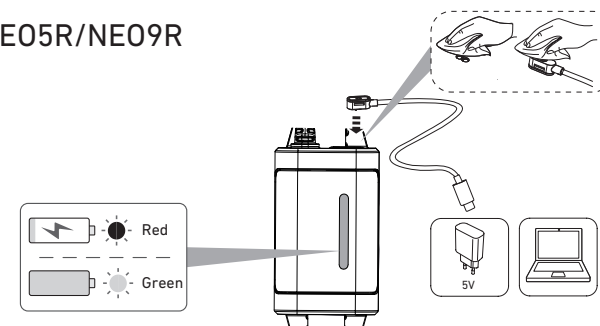
NE01R



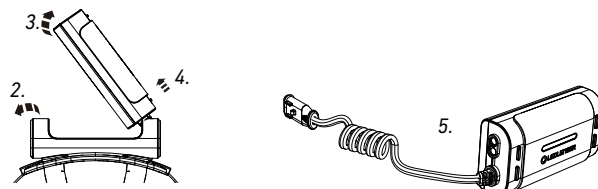
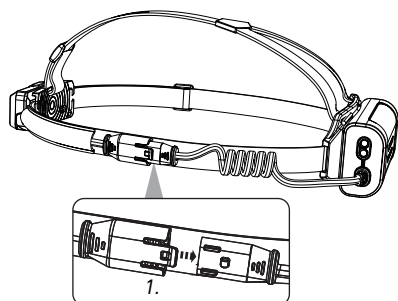
NE03



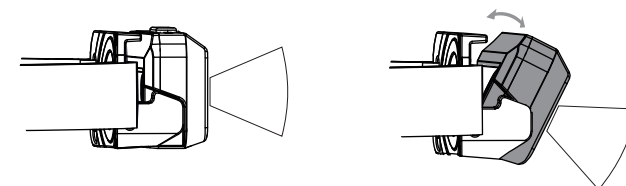
NE05R/NE09R



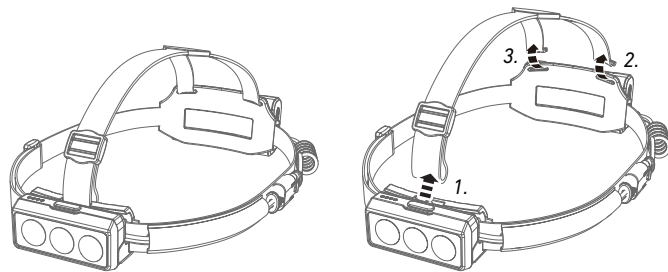
Battery Pack Replacement (NE09R)



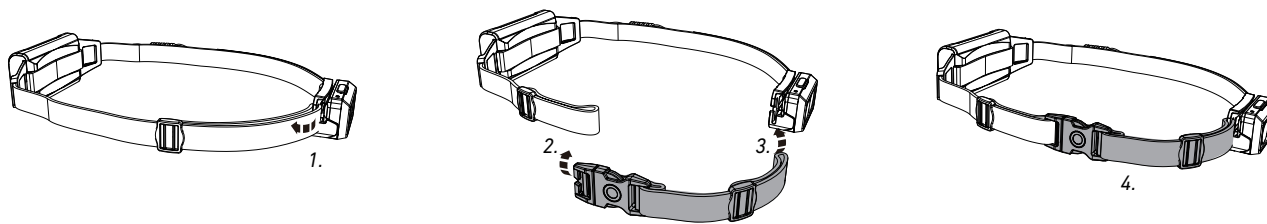
Lamp Head Rotation (NE01R/NE03/NE05R/NE09R)



Overhead Band (NE09R)

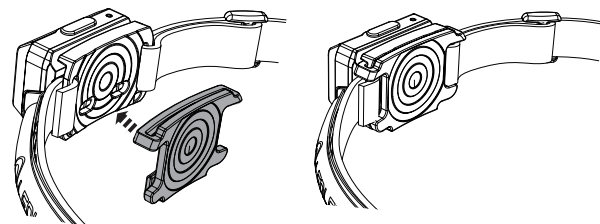


Chestbelt (NE05R/NE09R)

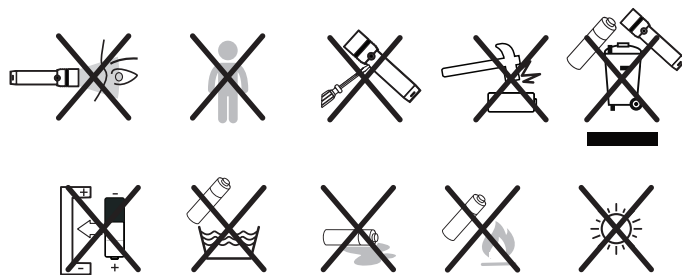
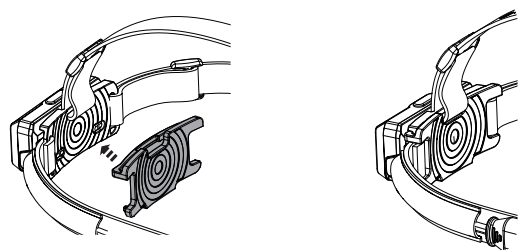


Silicone pad

NE03/NE05R



NE09R



Ledlenser GmbH & Co. KG
 Kronenstrasse 5-7 • 42699 Solingen • Germany
 Phone +49 212/5948-0 Fax +49 212/5948-200
 info@ledlenser.com



NEO Series_QUG_V0
 2021.07.07
 1J12A0477