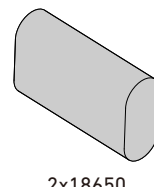
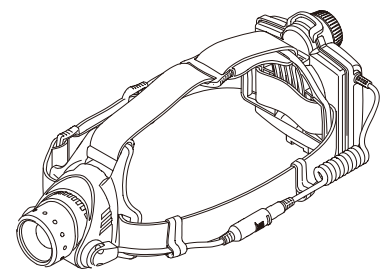


LEDLENSER H14R.2

LEDLENSER H14R.2



2x18650

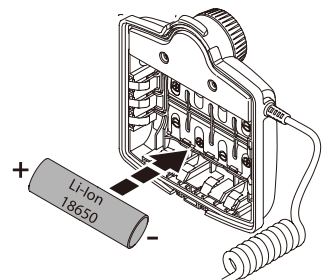
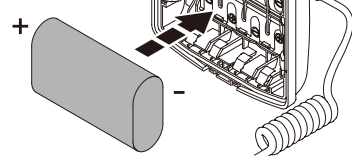
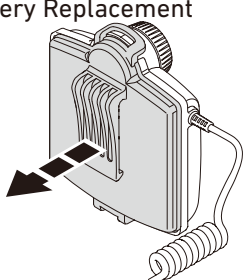


Item No.0396

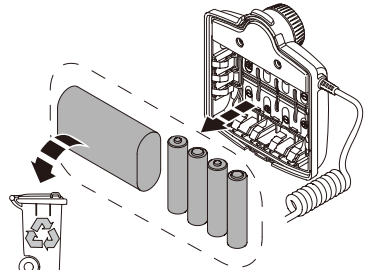


USB A To Micro USB

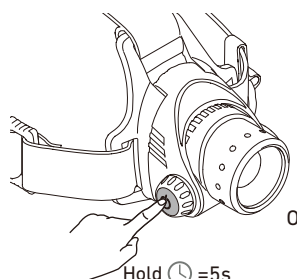
Battery Replacement



Recycling



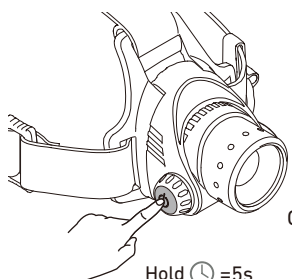
Transportation Lock



Off



Hold ⌚ =5s

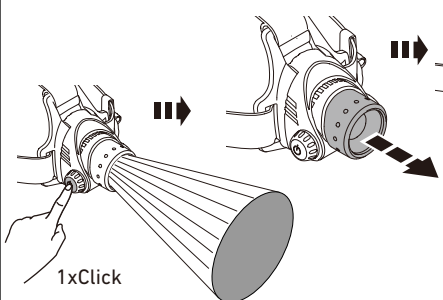


Off



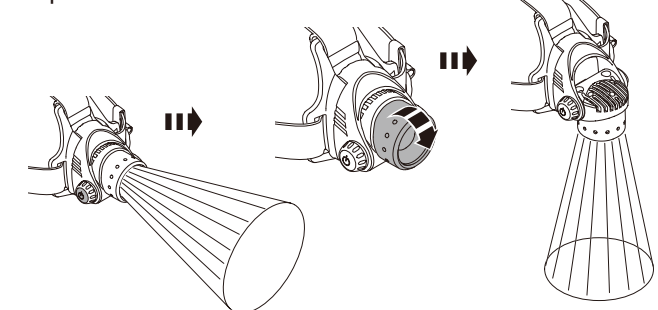
Hold ⌚ =5s

Advanced Focus System

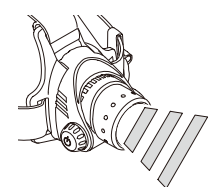


1xClick

Lamp Head Rotation



Low Battery Warning

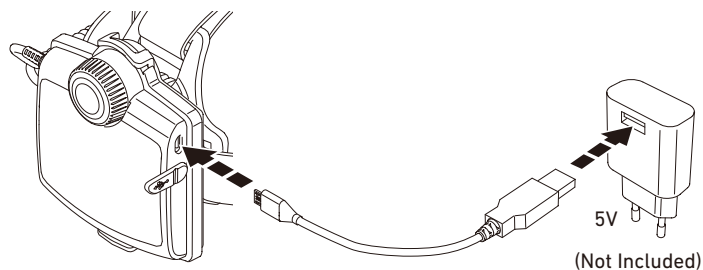


Blink

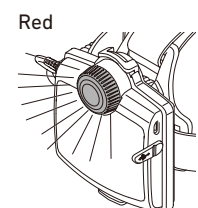


Low Battery

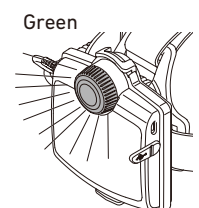
Charging System



5V (Not Included)

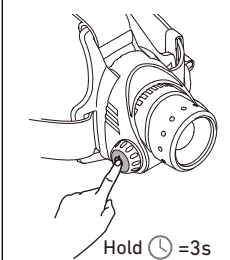


Red

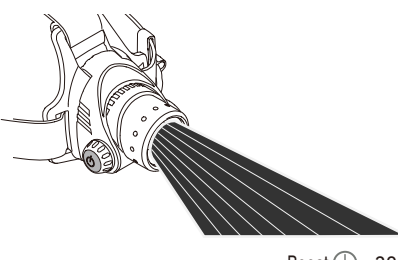


Green

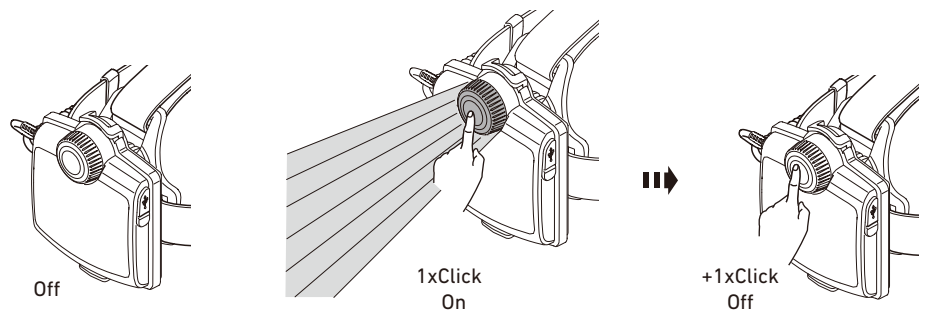
Boost



Hold ⌚ =3s



Boost ⌚ =30s



Off

1xClick On

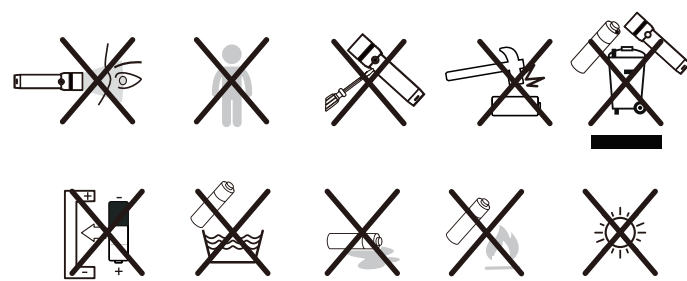
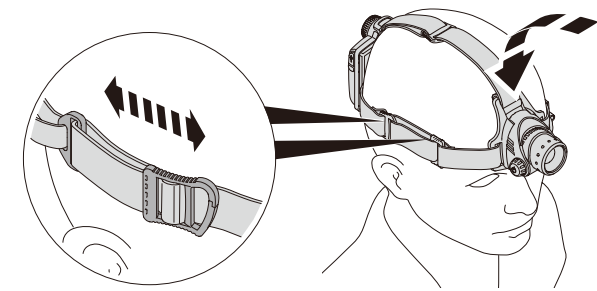
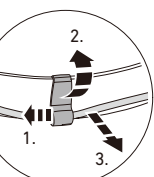
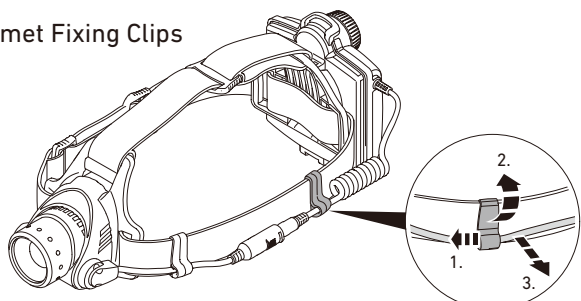
+1xClick Off

Off

2xClick ⌚ <1s

+1xClick Off

Helmet Fixing Clips



Ledlenser GmbH & Co. KG
Kronenstrasse 5-7 • 42699 Solingen • Germany
Phone +49 212/5948-0 Fax +49 212/5948-200
info@ledlenser.com

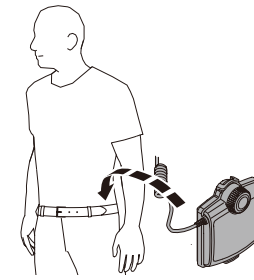
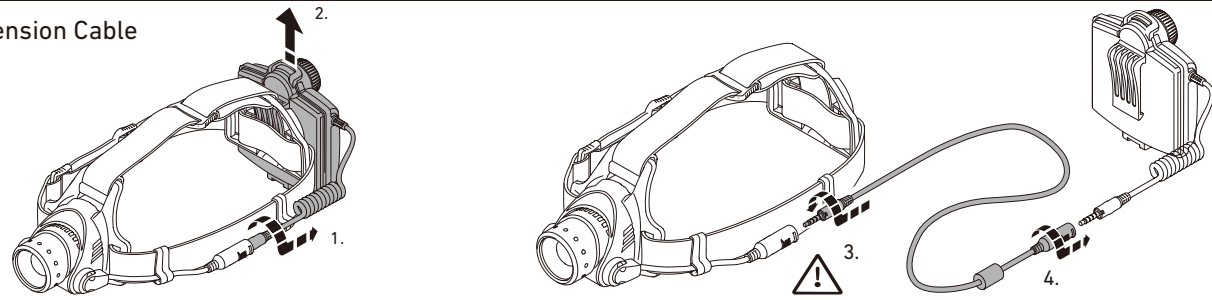


New H14R_QUG
2023.05.22
1J12A0592

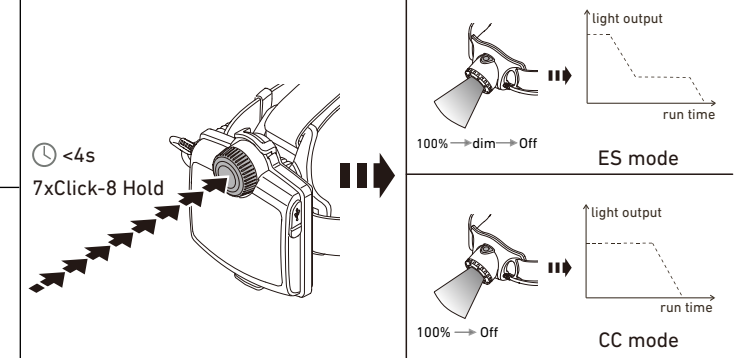
LEDLENSER H14R.2

LEDLENSER H14R.2

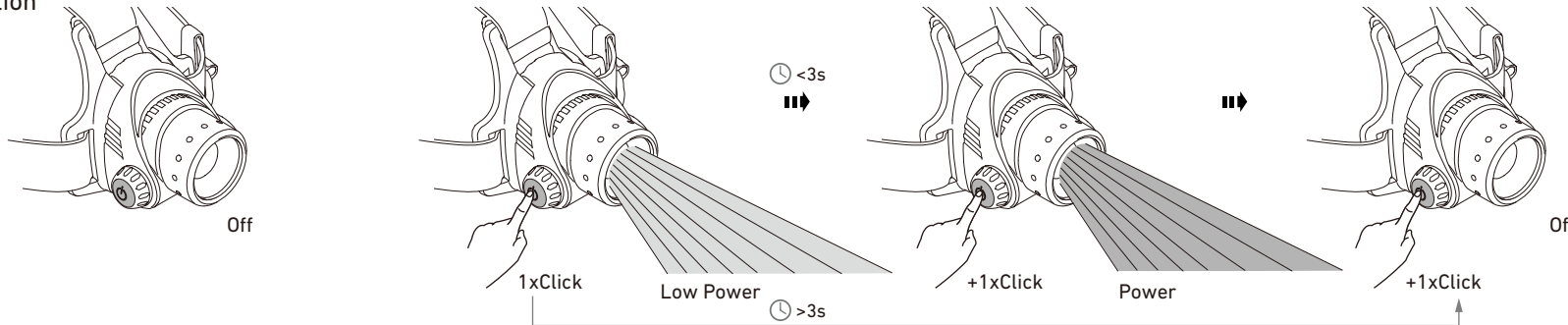
Extension Cable



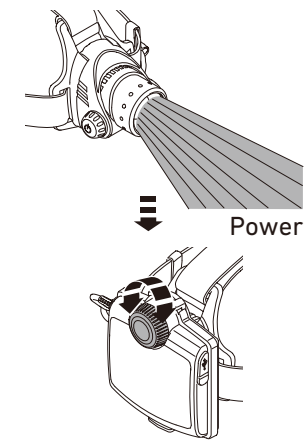
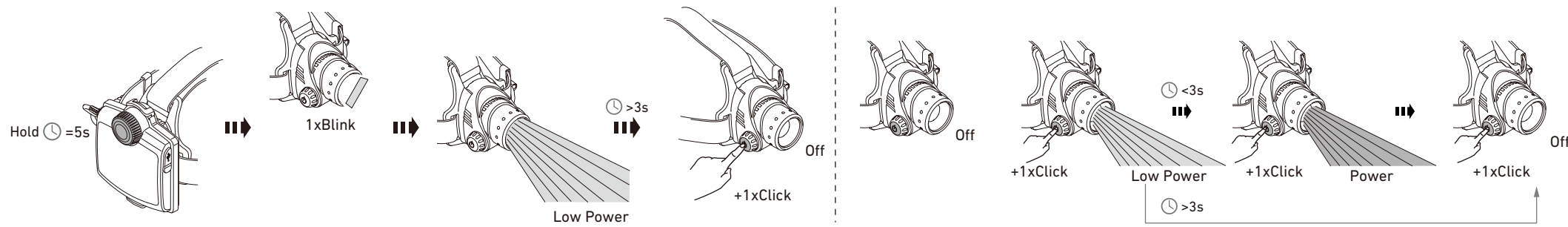
Constant Current/Energy Saving Mode



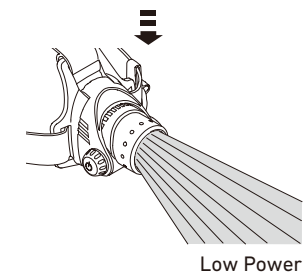
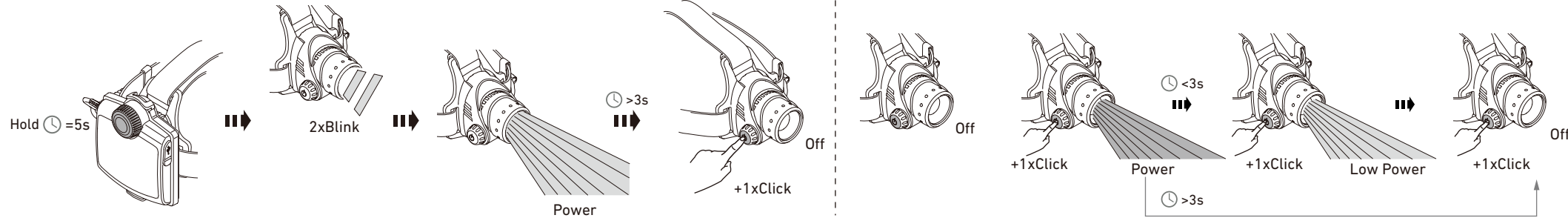
Default Operation



Mode 1



Mode 2



Mode 3

